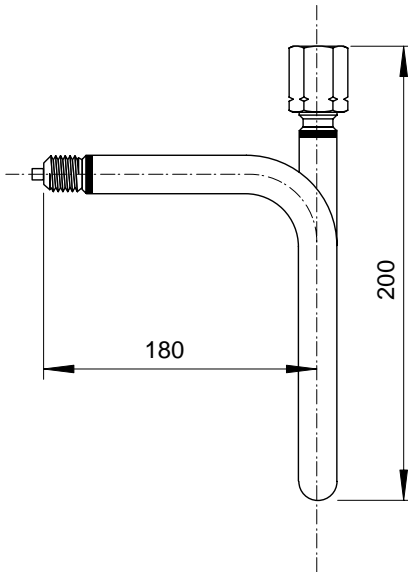
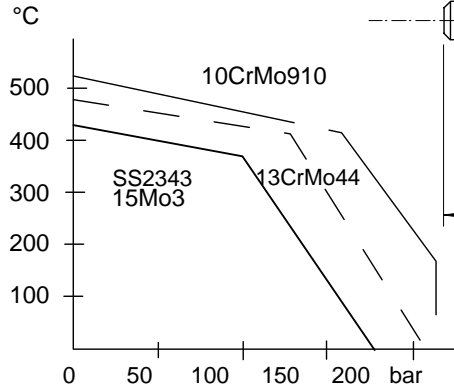


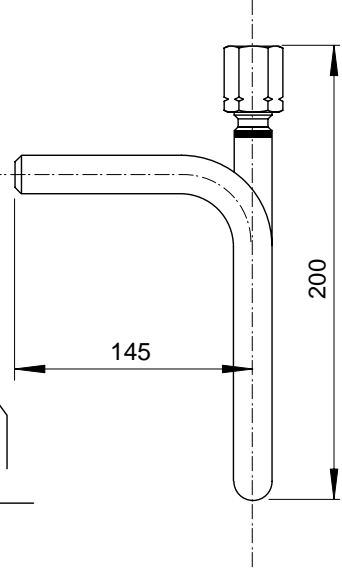
Malli / Model A
Nipallinen Prosessi yhde
Process connection with nipple



Materiaali lista:
List Of Materials:
15Mo3
SS2343
13CrMo44
10CrMo910

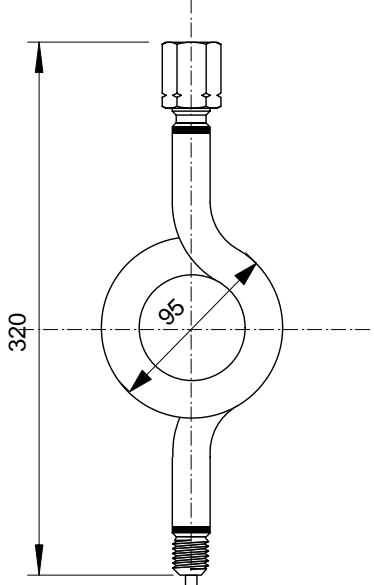


Malli / Model B
Hitsattava Prosessi yhde
Weldable Process connection

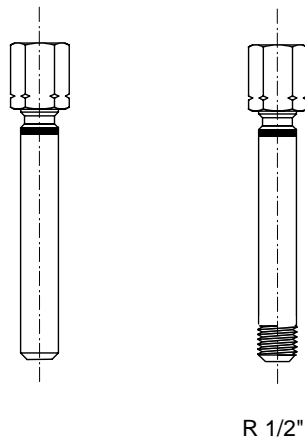


Malli: Model:	Prosessiliitântä: Process Connection:	Muhvi: Bush:	Tilausnumero: Order Number:
			Example: GS - A - 13CrMo44
A	PSPP 1/2" Male / Uros	L/R-BSPP 1/2"	GS - A - Material / Materiaali
B	Weldable / Hitsattava	L/R-BSPP 1/2"	GS - B - Material / Materiaali
C	PSPP 1/2" Male / Uros	L/R-BSPP 1/2"	GS - C - Material / Materiaali
D	Weldable / Hitsattava	L/R-BSPP 1/2"	GS - D - Material / Materiaali

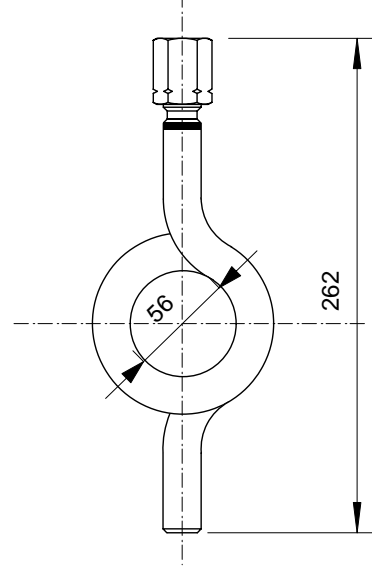
Malli / Model C
Nipallinen Prosessi yhde
Process connection with nipple



Suora Paineyhde



Malli / Model D
Hitsattava Prosessi yhde
Weldable Process connection



		Scale:	
		Z	
		220596	S.L.
Date:	Rev.	Date:	Design:

Vesilukkoputki / Gauge Siphon
DIN 16282

 **FLOWHOW Ltd.**
Vanha Rastaaantie 35
FIN - 02620 ESPOO
FINLAND